

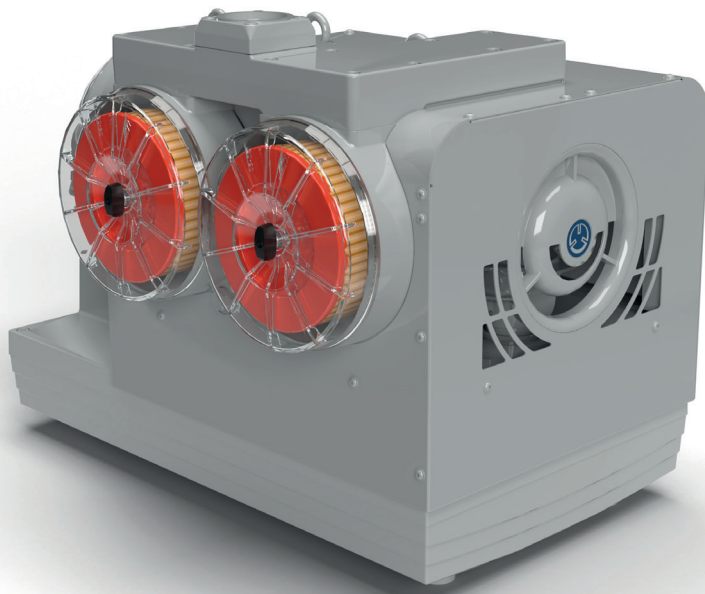
DATA SHEET

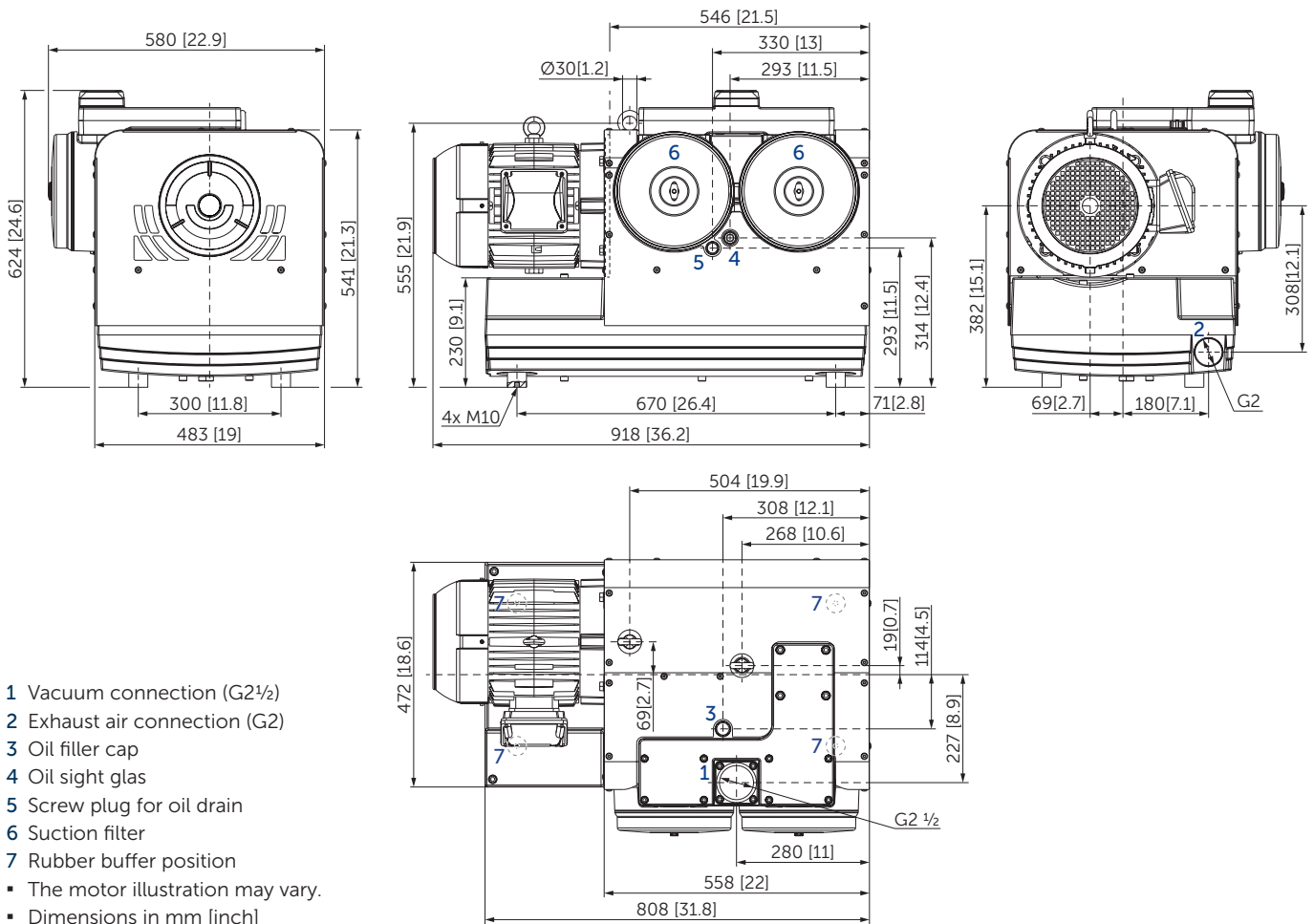
BCV 300

CLAW VACUUM PUMPS

dry and contact free compression
air-cooled

MAKE IT BECKER.



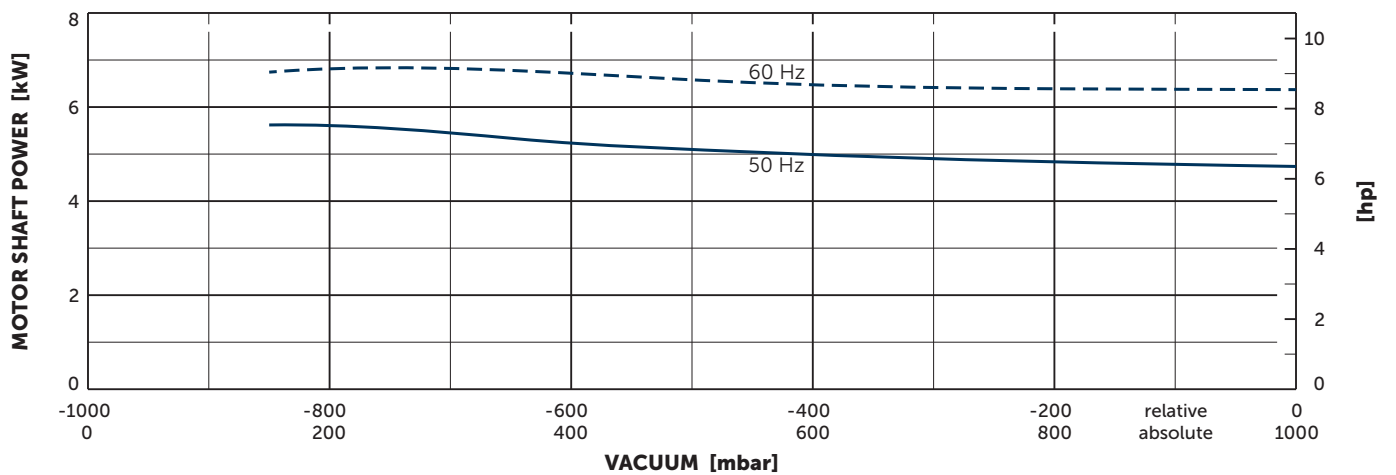
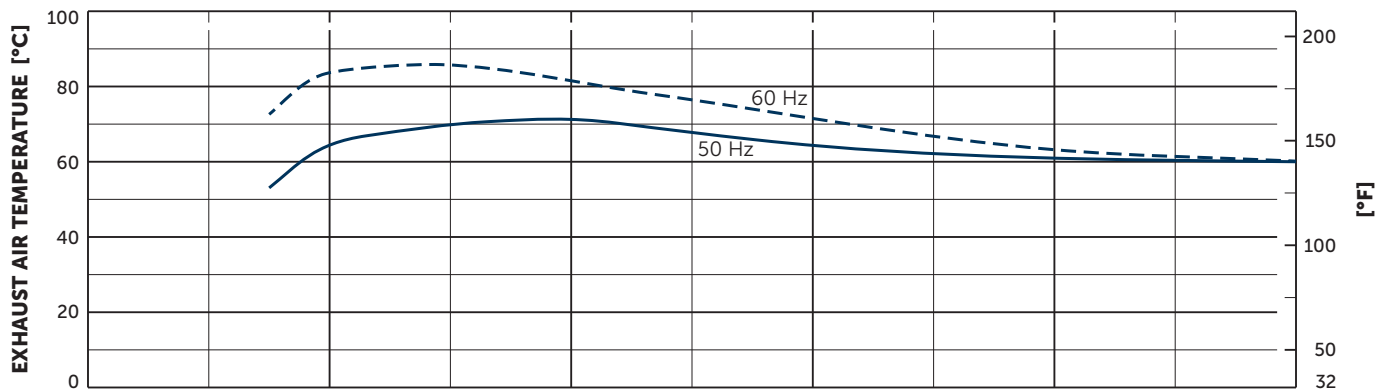
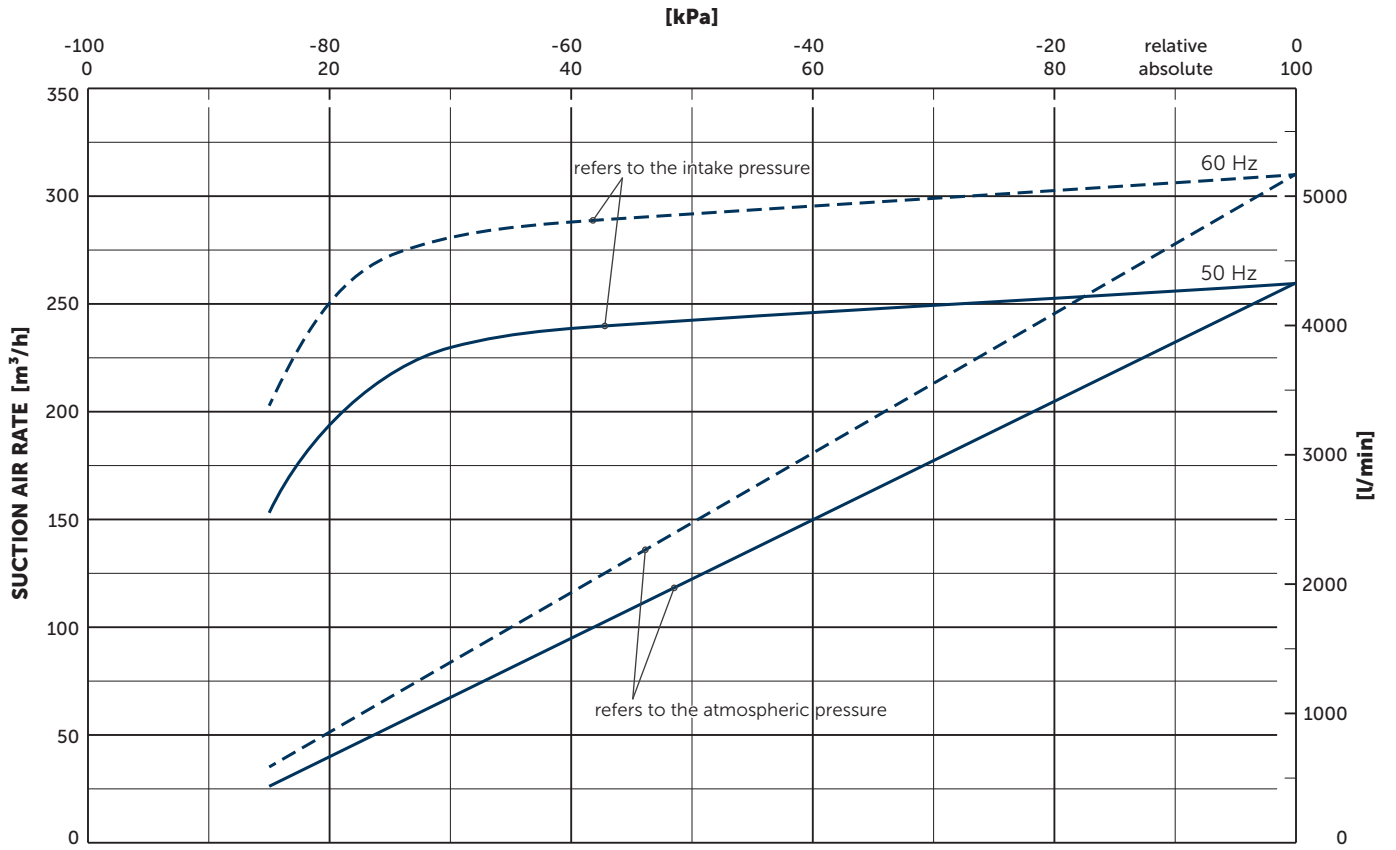


- 1 Vacuum connection (G2½)
- 2 Exhaust air connection (G2)
- 3 Oil filler cap
- 4 Oil sight glass
- 5 Screw plug for oil drain
- 6 Suction filter
- 7 Rubber buffer position
- The motor illustration may vary.
- Dimensions in mm [inch]

| Nominal capacity | | Vacuum absolute | | Emission sound pressure level ¹⁾ | | Weight without motor |
|------------------|-------|-----------------|-------|---|------------------|----------------------|
| m³/h | | mbar | | dB(A) | | kg |
| 50 Hz | 60 Hz | 50 Hz | 60 Hz | 50 Hz | 60 Hz | |
| 275 | 325 | 150 | 150 | 69 (400 mbar) | 70 (400 mbar) | 257 |

| 3~ Motors | | | | | | | | | | | | |
|-----------|-------|-----------|-------------------|------|-----------|-----|-------------------|-----|---------|--------------|--|----|
| # | 50 Hz | | | | 60 Hz | | | | Version | Weight kg | | |
| | kW | V | min ⁻¹ | A | kW | V | min ⁻¹ | A | | | | |
| 01 | 5.5 | Δ380/Y660 | IE3 | 2935 | 10.8/6.22 | 5.5 | Δ460/Y – | IE3 | 3550 | 9.29/ – | UL(E104590) • CSA • CC029A IP55 • ISO F • PTC | 66 |
| | | Δ400/Y690 | IE3 | 2940 | 10.6/6.14 | | | | | | | |
| 02 | 7.5 | Δ230/Y400 | IE3 | 2930 | 24.5/14.1 | 7.5 | YY230/Y460 | IE3 | 3540 | 24.8/12.4 | UL(E104590) • CSA • CC029A IP55 • ISO F • PTC | 71 |
| | | | | | | | | | | | | |
| 03 | 7.5 | Δ290/Y500 | IE3 | 2930 | 19.5/11.3 | 7.5 | Δ332/Y575 | IE3 | 3540 | 17.2/9.94 | UL(E104590) • CSA • CC029A IP55 • ISO F • PTC | 72 |
| 04 | 5.5 | Δ200/Y346 | IE3 | 2955 | 22.2/12.9 | 6.6 | Δ200/Y346 | IE3 | 3535 | 23.7/13.7 | UL(E104590) • CSA • CC029A IP55 • ISO F • PTC | 74 |
| | | | | | | | Δ220/Y380 | IE3 | 3545 | 22.6/13.1 | | |
| | | | | | | | Δ – /Y400 | IE3 | 3550 | – /12.7 | | |

¹⁾ According to DIN EN ISO 11203, accuracy class of measurement: class 2, extended measurement uncertainty: 3 dB
 1 m [39.4 inch] distance, at medium load, both connection sides piped
 ▪ Current consumption and rotation speed may vary. Tolerance in each case -1.5/+2%



Reference data (atmosphere): 1000 mbar (100 kPa), 20 $^{\circ}C$ (68 $^{\circ}F$)
 Tolerance: $\pm 10\%$



MAKE IT BECKER.